

SB200 | SB500 | SB950

Battery Lifting Magnet

The electropermanent battery lifting magnets are suitable for the flat material load range of 200kg | 500kg | 950kg and the round material load range of 50kg | 200kg | 400kg. Using a current pulse of less than one second the electro-permanent battery lifters SB 200 | SB 500 | SB 950 from Assfalg are switched manually by pushbuttons or automatically. Although no current flows during the transport of the load, the workpiece remains safely clamped like a permanent magnet. Up to 1000 ON/OFF switching cycles by SB 200 | SB 500 and 500 ON/OFF switching cycles by SB 950 are possible before recharging the integrated accu by the supplied mains charger.



SB 950

Application

- ▶ For flat and round material
- ▶ Destacking from 4mm sheet thickness by power reduction
- ▶ Independent from mains supply
- ▶ In mechanical engineering, tool manufacturing, plant engineering, steel construction, shipbuilding, steel mill, flame cutting, transport company or materials stores





SB 200

SB 500



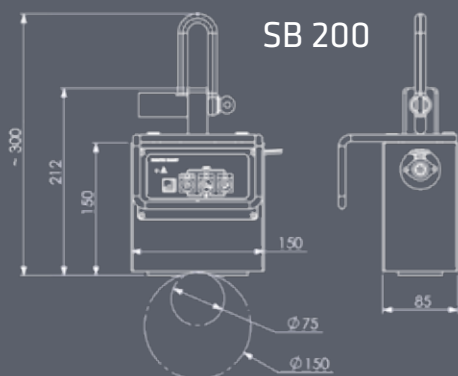
Professional advantages

- ▶ No battery flow during lifting (only a current pulse for a few seconds is required for magnetizing or demagnetizing)
- ▶ The magnets are either manually switched via push buttons or automatically via AUTO function
- ▶ Power reduction for destacking or low weight loads
- ▶ A built in security mechanism prevents switching when the load is suspended
- ▶ Option: Positioning drawbar SB 950, swivel-mounted in Z-Axis +/- 60°

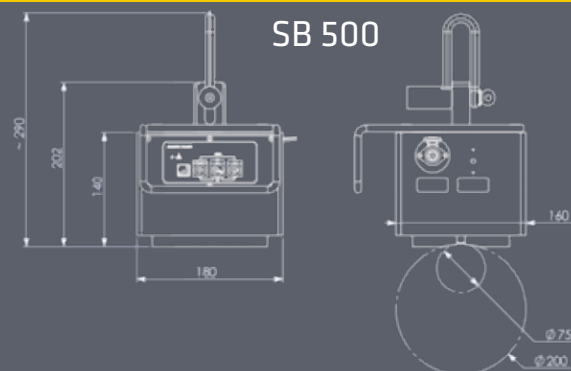


Features

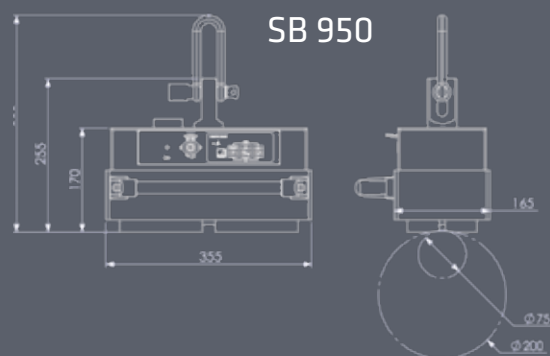
- ✔ Auto mode is instead of wireless control
- ✔ Up to 1000 ON/OFF switching cycles before recharging
- ✔ Accu (lithium-ion battery) is charged in approx. 2h mains charger 110V / 230V / 50-60Hz



SB 200



SB 500



SB 950

Technical data

	Dimensions [L×W×H] [mm]	Load	Min. thickness [mm]	Load	∅ from - to [mm]	Hold surface [mm]	Weight [kg]	No.
		SWL 3:1 Fh [kg]		SWL 3:1 Fh [kg]				
SB200	150 x 85 x 150	200	4	50	75 - 150	115 x 50	10	65697
SB500	180 x 160 x 140	500	4	200	75 - 200	145 x 125	25	62666
SB950	355 x 165 x 170	950	4	400	75 - 200	320 x 130	41	60643